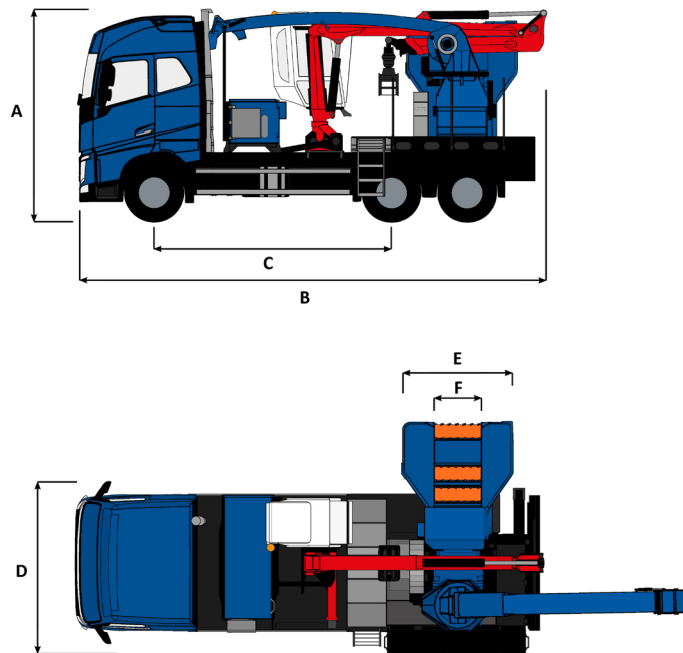


806.2 PT Truck

Transport height (A) [mm]	4000
Length (B) [mm]	8200
Wheel base (C) [mm]	4300
Transport width (D)	2500
Width infeed table (E) [mm]	2100
Width infeed (F) [mm]	850
Weight complete unit approx [ton]	22,5

Diameter chipper drum[mm]	800
Infeed opening W xH [mm]	850 x 720
Adjustable chip length [mm]	10-45
Max diameter, softwood[mm]	500
Max diameter, hardwood [mm]	400
Capacity [m3/h]	100-200
Suitable power truck (hp)	520-650
Suitable crane, lifting moment & reach	100kNm-10m



Alternative equipment

To equip your machine to optimum performance, BRUKS offers different choices: 5-roll infeed table, Different sets of chipper drums. Chip screens in different sizes. Chip tubes in different sizes. Dual chip deflector.

Optional equipment

The optional / additional equipment you can choose: Fire extinguishing System. Dual pedals. Monitor for reversing camera. Tool box. LED work lights. Air intake pre-cleaner. Steel fenders. Filling equipment for hydraulic oil. Water heating for hyd.oil. Coupling -VBG. Sand spreader Slirej 60L or 90L. Extra support legs "A-model". Extra support legs "straight model". Radio remote control. Dialing modem for troubleshooting support. Wood cracker. Different options at Crane, Grapple & Cab.